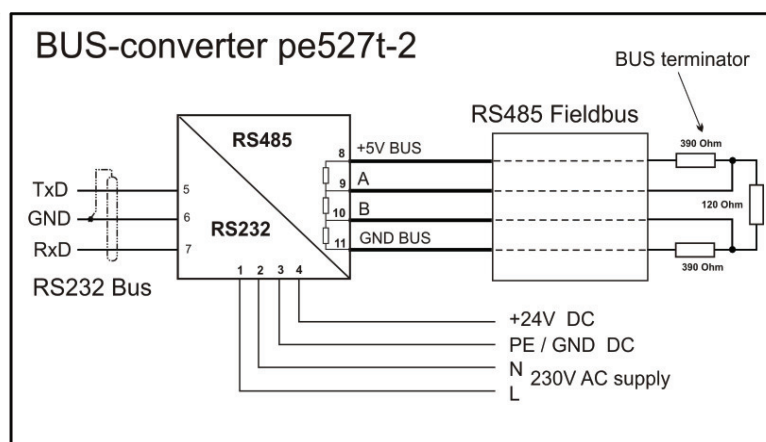
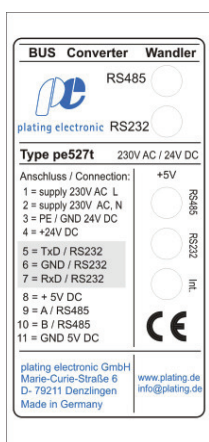


The RS232/RS485 converter has been developed for control cabinet applications. It is a two way converter with a galvanic separation between RS232 and RS485 signals.



Type:	Converter
RS485 baud rate:	300baud – 57600baud
Interface:	RS232 (SUB-D 9pin) RS485 (SUB-D 9pin or round socket with 4pins)
Supply voltage:	24V DC / 230V AC (10mA) or 24V DC / 115V AC (20mA)
Current input at 24V DC:	100mA
Internal fuse:	250mA _T / 250V AC (5 x 20mm)
Ambient temperature:	0°C – max. 40°C
LEDs:	1 LED to display data transmit on RS485 1 LED to display data transmit on RS232 1 LED to display 5V supply voltage RS485 ok 1 LED to display 5V supply voltage RS232 ok 1 LED to display 5V internal supply voltage ok
Installation:	Norm mounting rail DIN EN50022 and EN50045
Installation position:	Any
Protection grade:	IP20
Casing:	Plastic
Cooling:	Convection
Dimensions (W x H x D):	50 x 100 x 150mm
Weight:	360g



The internal logic will recognize the input signals automatically and will switch into the correct data direction by itself. The five LEDs in the front shows the actual data transmit modus and the status of the supply voltages.

Technical equipment, design and features: subject to change! For further information please contact plating electronic GmbH.

plating electronic GmbH | 79350 Sexau | Fon +49 7641 93500-0 | www.plating.de
Rheinstr. 4 | Germany | Fax +49 7641 93500-999 | info@plating.de