

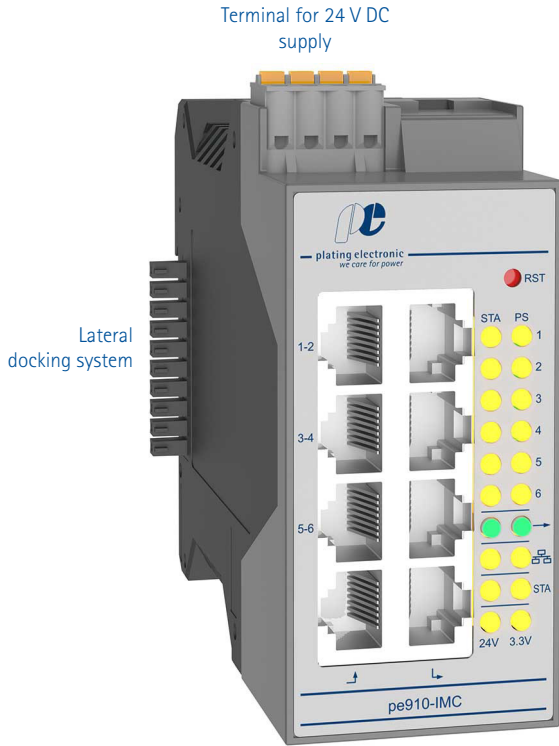
BUS-COMMUNICATION, SERIES PE910

pe910-IMC Intelligent Multi-Connector



plating electronic
we care for power

To connect multiple POWER STATIONS with digital peRB interface to the pe910 system.



Type: pe910-IMC
peRB-connections: 1x peRB input
1x peRB output (to cascade multiple switches)
6x peRB output for POWER STATIONS

Supply voltage: 24 V DC +/- 10 %

Current consumption: 170 mA

Environmental temperature: 0 °C - max. 40 °C

LEDs: multi-colour LEDs for status indication

Mounting: DIN rail according to DIN EN 60715

Mounting position: vertical only (as shown on picture)

Protecting grade: IP20

Casing: Polyamide

Cooling: Convection

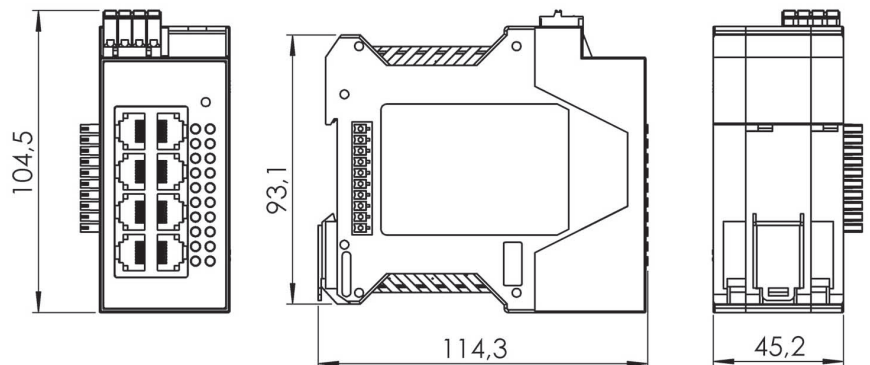
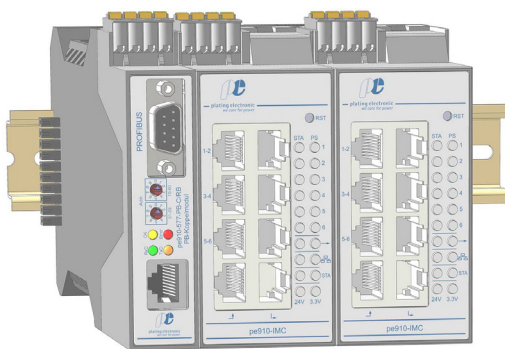
Dimensions: see below drawing

Weight: 260 g

Standards: CE-conformity
RoHS-conform

Installation example: PROFIBUS node module and 2 x IMC

Dimensions in mm:



Technical equipment, design and features: subject to change! For further information please contact plating electronic GmbH.

plating electronic GmbH
Rheinstr. 4

79350 Sexau
Germany

Fon +49 7641 93500-0
Fax +49 7641 93500-999

www.plating.de
info@plating.de

