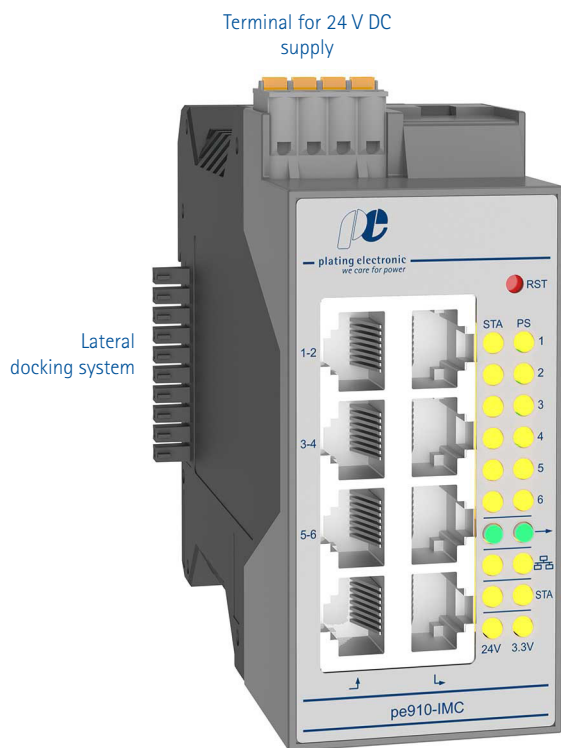


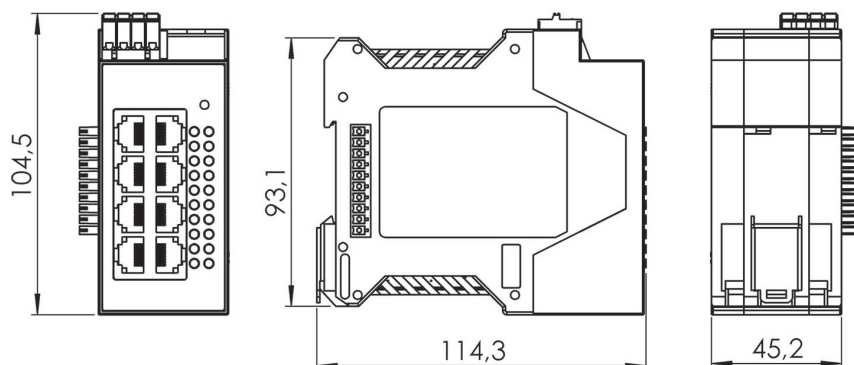
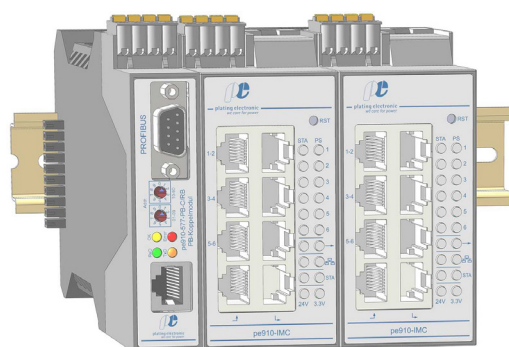
To connect multiple POWER STATIONS with digital peRB interface to the pe910 system.



Type:	pe910-IMC
peRB-connections:	1x peRB input 1x peRB output (to cascade multiple switches) 6x peRB output for POWER STATIONS
Supply voltage:	24 V DC +/- 10 %
Current consumption:	170 mA
Environmental temperature:	0 °C - max. 40 °C
LEDs:	multi-colour LEDs for status indication
Mounting:	DIN rail according to DIN EN 60715
Mounting position:	vertical only (as shown on picture)
Protecting grade:	IP20
Casing:	Polyamide
Cooling:	Convection
Dimensions:	see below drawing
Weight:	260 g
Installation altitude:	≤2000 m above sea level
CE conform	

Application example: PROFIBUS node module and 2 x IMC

Dimensions in mm:



Technical equipment, design and features: subject to change! For further information please contact plating electronic GmbH.