

Output power:	max. 750 Watt	Typical applications:	Laboratory plating lines
DC current:	max. 60A (at 12V)	Precious metal plating	Reel-to-reel plating
DC voltage:	max. 30V (at 25A)	PCB lines	Manual plating lines

DC power supply with switch mode technology, designed for use in electroplating and/or for installation in a cabinet.



POWER STATION pe4616, front view



POWER STATION pe4616, back view

Characteristic values

Linearity inaccuracy:
- for amperage < 0.5 %
- for voltage < 0.5 %

Ripple less than < 0.5 %

Efficiency typical > 85 %

Constant current and voltage control

Soft start function

Mains supply: standard 100 - 265 V 50-60 Hz

Cooling

Optimized cooling air guiding, air consumption max. 100m³/h

Cooling air outlet in front panel (turned air flow on request)

Ambient temperature 35°C (other on request)

Design

Protection grade IP20; sealed air duct

Anodized aluminium front panel

DC connector in back panel

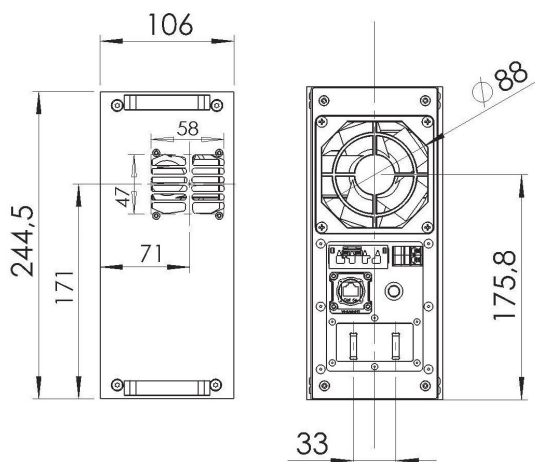
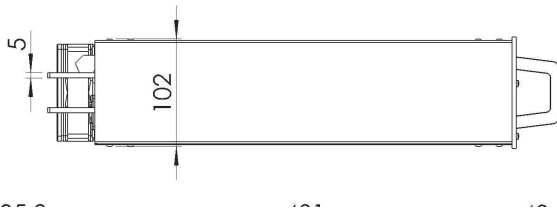
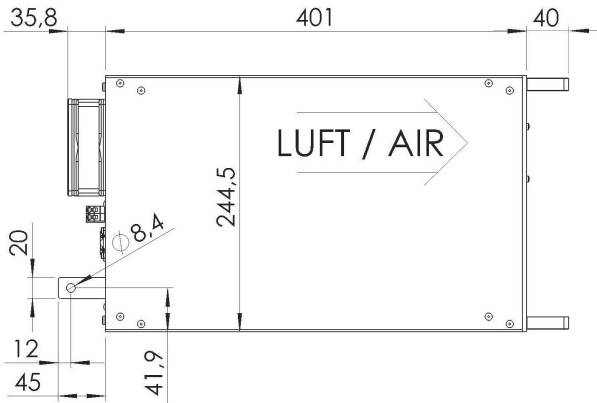
Easy installation

Standard version: see picture

EMV: EN55011 class A, group 1 ; EN61000-6-4 and EN61000-6-2;
CE-conformity IEN50178 - low voltage guide line

Values	Standard sizes - DC output ¹						¹ other sizes on request	
	60 A		50 A	30 A	25 A	10 A	5 A	
DC current	60 A		50 A	30 A	25 A	10 A	5 A	
DC voltage	6 V	12 V	15 V	25 V	30 V	30 V	30 V	
Mains supply	230 V AC / 50-60Hz							
Weight	approx. 7.5 kg							

Standard dimensions



Control

Standard: peRB-interface

Optional: external control via analog signals, also with integrated isolation amplifier

Signals: 0-10V
0-1V
4-20mA
0-20mA (other on request)

Control unit pe280 for the controlling of DC power supplies

Designed for electroplating applications

Large 3-line LCD-display, Keypads for easy programming/selection

Current and voltage infinitely adjustable

by UP / DOWN buttons

Current and voltage preset

Ampere-hour counter (totalizer)

Protection grade: IP54

Ambient temperature max. 40°C



Optional available functions

Preset counter, dosage counter *

Ramp function (start / stop ramp)

Timer function for ON / OFF *

Voltage / current alarm *

Operating hours counter

Chopper timer (pulse-capable rectifier type requested)

Pole changer function (mechanical / electronic) *

Programmable DC steps (14 individual steps) *

Extern ON

* Indication / alarm output

Control via: RS485, PROFIBUS, TCP/IP (other on request)

DC connector

Tin-coated copper bars *

Size, location and design of the DC output bus bars may differ from the standard

Technical equipment, design and features: subject to change! For further information please contact plating electronic GmbH.

plating electronic GmbH
Rheinstr. 4

79350 Sexau
Germany

Fon +49 7641 93500-0
Fax +49 7641 93500-999

www.plating.de
info@plating.de